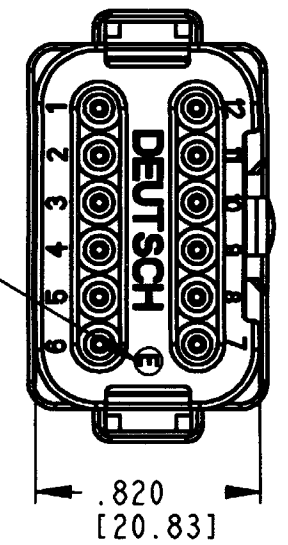
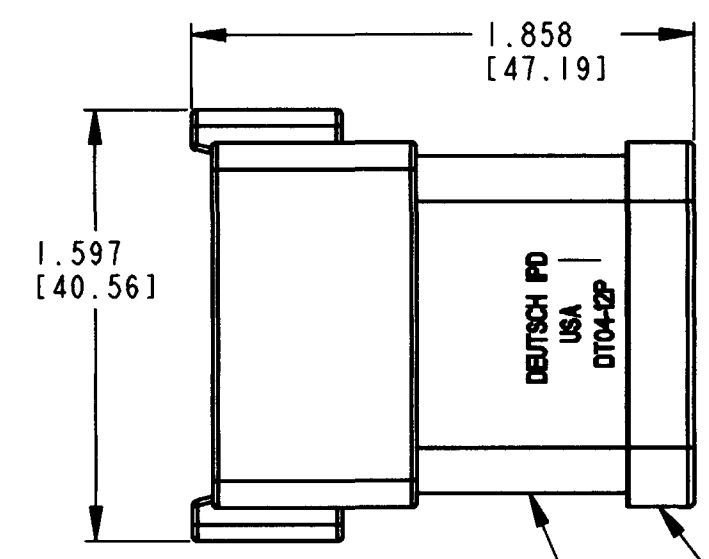
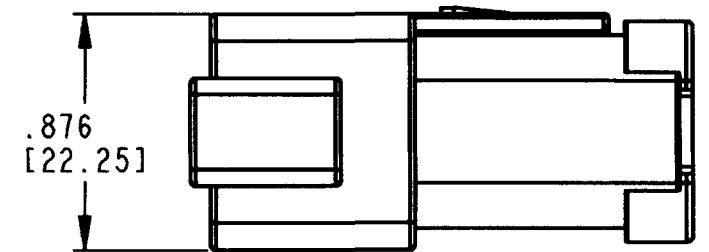
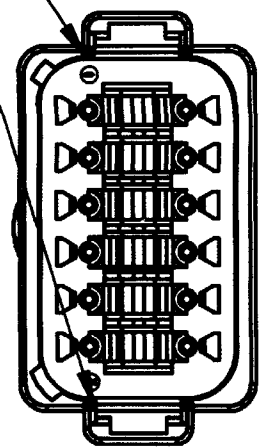


3D VIEW



DATE CODE:
 MONTH IS REPRESENTED BY SEQUENTIAL ALPHA CHARACTERS.
 EX: A=JANUARY
 YEAR IS REPRESENTED BY LAST NUMERICAL DIGIT.
 EX: 0=2000



| REVISIONS | | | |
|-----------|-----------------------------|---------|----------|
| SYM | DESCRIPTION | DATE | APPROVED |
| NC | NEW RELEASE PER E.O. P16869 | 9-22-00 | RDR |
| | | | |
| | | | |

REV
 NC DT04-12PA-CE01

| CONTACT SIZE | MIN. INSUL O.D. | MAX. INSUL O.D. | WIRE RANGE [mm ²] |
|--------------|-----------------|-----------------|-------------------------------|
| 16 | .053 [1.35] | .120 [3.05] | 14-20 AWG [2.0-0.5] |

-E- DESIGNATES REDUCED DIAMETER WIRE SEAL

WELD CAP
 RECEPTACLE HOUSING

- NOTES:
1. DIMENSIONS ARE IN INCHES [MILLIMETERS].
 2. DIMENSIONS ARE ±.025[0.63] UNLESS OTHERWISE SPECIFIED.
 3. FOR CONTACTS AND WIRE PERFORMANCE AND APPLICATION CHARACTERISTICS SEE ENVELOPE DRAWING 0425-015-0000 AND 0425-017-0000.
 4. THIS RECEPTACLE MATES WITH DT06-12PA-**** PLUG. (****=ALL MODIFICATIONS). CONSULT FACTORY FOR MODIFICATIONS.

| SIGNATURE & DATE | |
|------------------|----------------------|
| DR | T. YOHANNES 9/21/00 |
| CHK | R. Rasmussen 9-22-00 |
| PE | John Hansen 9/22/00 |
| APPD | R. Reed 9-22-00 |
| SCALE | NONE WT |

12 WAY RECEPTACLE
 WITH CAP AND
 REDUCED WIRE SEALS
 -A- KEY
 DT SERIES
 ENVELOPE

| | |
|---|-------------------------|
| CP | MATL. CODE |
| The Deutsch Company DEUTSCH I.P.D. 3850 INDUSTRIAL AVE. HEMET, CALIF. 92545 | |
| B | DT04-12PA-CE01 |
| DWG. SIZE | CODE 11139 SHEET 1 OF 1 |