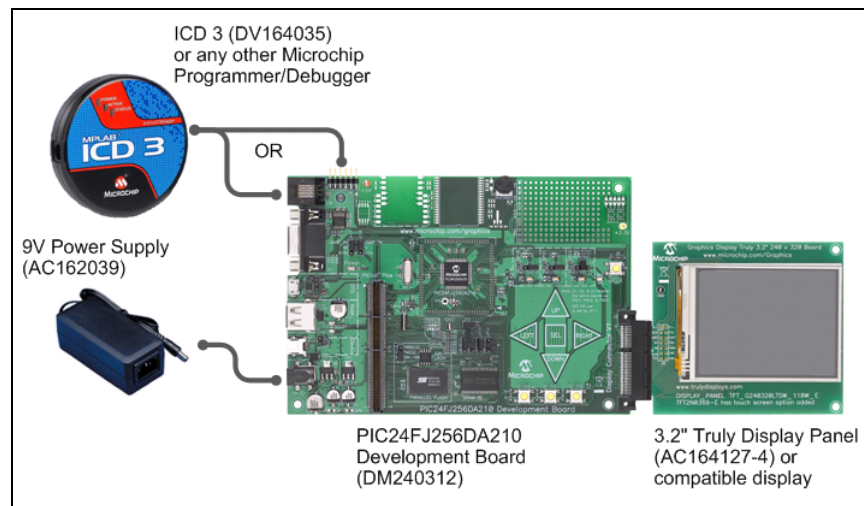


# PIC24FJ256DA210 Development Board Quick Start Guide

---



The PIC24FJ256DA210 Development Board (DM240312) is designed to demonstrate the capabilities of the PIC24FJ256DA210 family, which has an integrated graphics controller module, for human interface applications. The board is designed to be used in conjunction with a display board that has a compatible Microchip Display Connector V1 interface, such as the Graphics Display Truly 3.2" 240x320 Board (AC164127-4), the Graphics Display Powertip 4.3" 480x272 Board (AC164127-6), or the Graphics Display Prototype Board (AC164139). A typical setup with 9V power supply and ICD 3 programmer/debugger is shown as an example in the picture above. However, any other Microchip programmers/debuggers can also be used.

The next step is to download the PIC24FJ256DA210 Development Board User's Guide from [www.microchip.com/da210devboard](http://www.microchip.com/da210devboard). The user's guide contains the complete documentation of the board features, schematic and instructions on which software tools (MPLAB<sup>®</sup> IDE, C compiler, Microchip Graphics Library) are required to start developing with the PIC24FJ256DA210 family.

For additional information about Microchip Graphics Solutions, including application notes, webinars, other hardware options, and technical training, please visit [www.microchip.com/graphics](http://www.microchip.com/graphics).

# PIC24FJ256DA210 Development Board Quick Start Guide

---

## Americas

Atlanta - 678-957-9614  
Boston - 774-760-0087  
Chicago - 630-285-0071  
Cleveland - 216-447-0464  
Dallas - 972-818-7423  
Detroit - 248-538-2250  
Kokomo - 765-864-8360  
Los Angeles - 949-462-9523  
Phoenix - 480-792-7200  
Santa Clara - 408-961-6444  
Toronto - 905-673-0699

## Asia/Pacific

Australia - Sydney - 61-2-9868-6733  
China - Beijing - 86-10-8528-2100  
China - Chengdu - 86-28-8665-5511  
China - Chongqing - 86-23-8980-9588  
China - Hong Kong SAR - 852-2401-1200  
China - Nanjing - 86-25-8473-2460  
China - Qingdao - 86-532-8502-7355  
China - Shanghai - 86-21-5407-5533  
China - Shenyang - 86-24-2334-2829  
China - Shenzhen - 86-755-8203-2660  
China - Wuhan - 86-27-5980-5300  
China - Xian - 86-29-8833-7252  
China - Xiamen - 86-592-2388138  
China - Zhuhai - 86-756-3210040  
India - Bangalore - 91-80-3090-4444  
India - New Delhi - 91-11-4160-8631  
India - Pune - 91-20-2566-1512  
Japan - Yokohama - 81-45-471-6166  
Korea - Daegu - 82-53-744-4301  
Korea - Seoul - 82-2-554-7200  
Malaysia - Kuala Lumpur - 60-3-6201-9857  
Malaysia - Penang - 60-4-227-8870  
Philippines - Manila - 63-2-634-9065  
Singapore - 65-6334-8870  
Taiwan - Hsin Chu - 886-3-6578-300  
Taiwan - Kaohsiung - 886-7-536-4818  
Taiwan - Taipei - 886-2-2500-6610  
Thailand - Bangkok - 66-2-694-1351

## Europe

Austria - Weis - 43-7242-2244-39  
Denmark - Copenhagen - 45-4450-2828  
France - Paris - 33-1-69-53-63-20  
Germany - Munich - 49-89-627-144-0  
Italy - Milan - 39-0331-742611  
Netherlands - Drunen - 31-416-690399  
Spain - Madrid - 34-91-708-08-90  
UK - Wokingham - 44-118-921-5869

01/05/10



Microchip Technology Inc. • 2355 West Chandler Blvd. • Chandler, AZ 85224-6199  
[www.microchip.com](http://www.microchip.com)

The Microchip name and logo and the Microchip logo are registered trademarks of Microchip Technology Incorporated in the U.S.A. and other countries. MPLAB is a registered trademark of Microchip Technology Incorporated in the U.S.A. and other countries. All other trademarks mentioned herein are property of their respective companies. © 2010, Microchip Technology Incorporated, Printed in the U.S.A. All Rights Reserved. 05/10

DS51899A

